

**computar**<sup>®</sup>

# MPT SERIES

MACHINE VISION LENSES

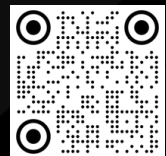
## 1.4" 50 MP



## THE POWER BEHIND THE PICTURE

- ✓ Dedicated design for 1.2"~1.4" large format sensors
- ✓ Floating design achieves ultra-high resolution from near to far
- ✓ Highly versatile C mount
- ✓ World's smallest size for large format megapixel sensors for industrial use
- ✓ Wide range of focal lengths, including 12mm, 16mm, 25mm, 35mm, & 50mm
- ✓ Optimized for the IMX901 sensor

[computar.com/mpt](http://computar.com/mpt)



# MPT Series

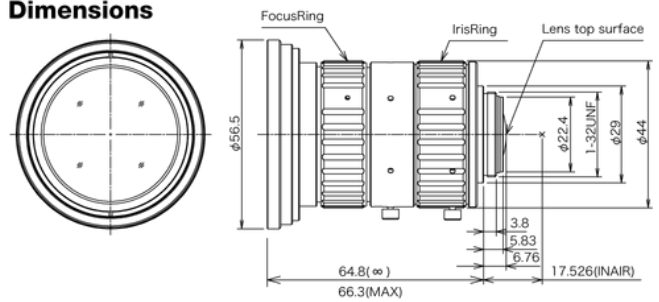
# 1.4" 50MP

## F1228-MPT

Focal Length	12mm		Distortion (Inf.)	1.4 Type	0.13%	
Max. Aperture Ratio	1:2.8		Operating Temperature	-10°C - +50°C		
Max. Image Format	φ23.1mm		Mount	C-Mount		
Operation Range	Iris	F2.8 - F16.0	Filter Size	M72 P=0.75mm*		
	Focus	0.15m - Inf.	Weight	205g		
Angle of View	D		1.2 Type	76.6°	1.1 Type	71.6°
	H	1.4 Type		61.9°		60.4°
	V			54.8°		46.1°

\*For using filters, please attach TM-1243 (Sold Separately).

### Dimensions

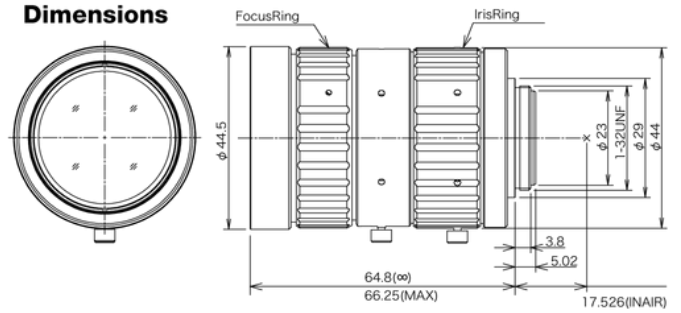


## F1628-MPT

Focal Length	16mm		Distortion (Inf.)	1.4 Type	0.06%	
Max. Aperture Ratio	1:2.8		Operating Temperature	-10°C - +50°C		
Max. Image Format	φ23.1mm		Mount	C-Mount		
Operation Range	Iris	F2.8 - F16.0	Filter Size	M52 P=0.75mm*		
	Focus	0.15m - Inf.	Weight	187g		
Angle of View	D		1.2 Type	61.0°	1.1 Type	56.5°
	H	1.4 Type		48.1°		46.9°
	V			42.2°		35.2°

\*For using filters, please attach TM-1643 (Sold Separately).

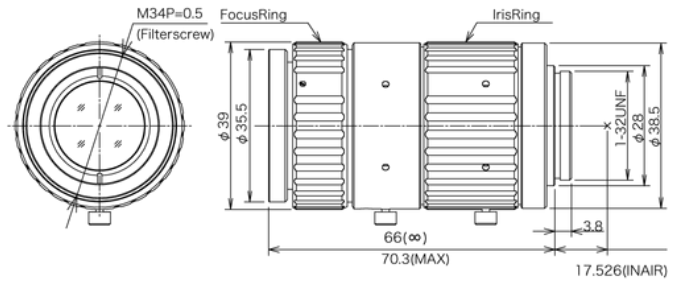
### Dimensions



## F2524-MPT

Focal Length	25mm		Distortion (Inf.)	1.4 Type	0.06%	
Max. Aperture Ratio	1:2.4		Operating Temperature	-10°C - +50°C		
Max. Image Format	φ23.1mm		Mount	C-Mount		
Operation Range	Iris	F2.4 - F16.0	Filter Size	M34 P=0.5mm		
	Focus	0.15m - Inf.	Weight	152g		
Angle of View	D		1.2 Type	42.4°	1.1 Type	39.0°
	H	1.4 Type		32.7°		31.8°
	V			28.5°		23.6°

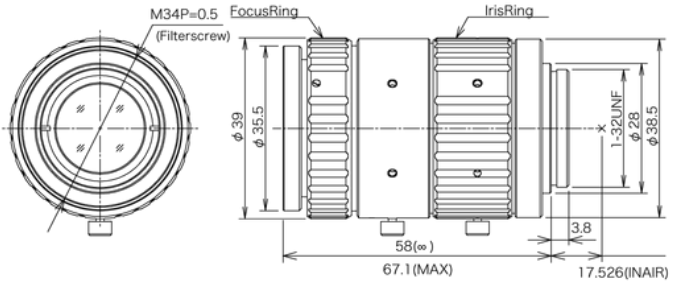
### Dimensions



## F3526-MPT

Focal Length	35mm		Distortion (Inf.)	1.4 Type	0.01%	
Max. Aperture Ratio	1:2.6		Operating Temperature	-10°C - +50°C		
Max. Image Format	φ23.1mm		Mount	C-Mount		
Operation Range	Iris	F2.6 - F16.0	Filter Size	M34 P=0.5mm		
	Focus	0.15m - Inf.	Weight	122g		
Angle of View	D		1.2 Type	30.9°	1.1 Type	28.3°
	H	1.4 Type		23.6°		23.0°
	V			20.5°		16.9°

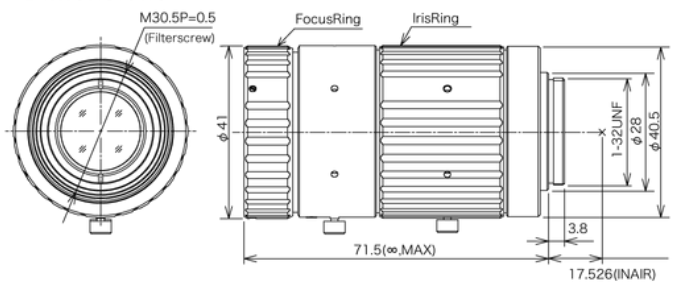
### Dimensions



## F5026-MPT

Focal Length	50mm		Distortion (Inf.)	1.4 Type	-0.03%	
Max. Aperture Ratio	1:2.6		Operating Temperature	-10°C - +50°C		
Max. Image Format	φ23.1mm		Mount	C-Mount		
Operation Range	Iris	F2.6 - F16.0	Filter Size	M30.5 P=0.5mm		
	Focus	0.25m - Inf.	Weight	151g		
Angle of View	D		1.2 Type	21.9°	1.1 Type	20.0°
	H	1.4 Type		16.7°		16.2°
	V			14.4°		11.9°

### Dimensions



Specifications are subject to change without notice.