



ZA8-CBK645G

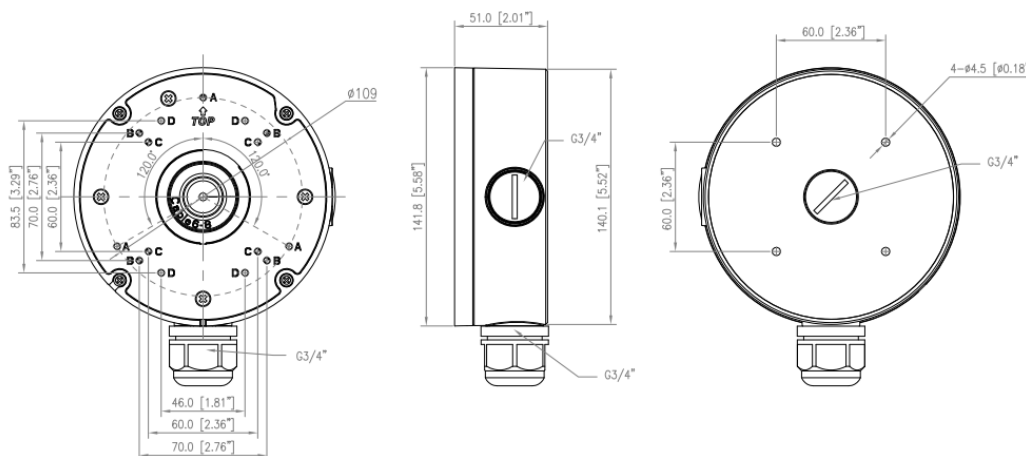
Junction Box for Thermal Camera



Specification

Parameter	
Compatible Camera Model:	ZNT8-B1F
Material	Aluminum alloy + Plastic
Color	White
Operating Humidity	0% - 90% RH
Load Bearing	3 kg (6.61 lb)
Product Dimensions	φ 141.8 × 51mm (φ 5.58 × 2.0")
Product Weight	0.58kg (0.66 lb)

Dimensions (mm)



Specifications are subject to change without notice.