



ZN8-4D6DTMZ71

4 × 5MP 4-Directional Multi-Sensor Network Camera

Key Features

- Four (4) 5MP 1/2.8" STARVIS CMOS image sensor
- Four (4) adjustable lenses in one camera, each lens up to 5 MP (2592 × 1944) @25/30 fps
- 2.7 to 13.5mm motorized lens
- True WDR, 3D DNR, ROI, HLC, BLC, Defog
- Support face, human, vehicle detection and capture
- Intelligent analytics: intrusion, single line crossing, double line crossing, loitering, wrong-way, illegal parking, enter area, leave area, and smart motion detection and people counting
- Built-in microphone, 1/1 audio in/out, 4/2 alarm in/out
- Built-in SD card slot, up to 1TB
- Smart IR distance up to 40 m
- IP67, IK10
- Wall bracket included
- NDAA Compliant



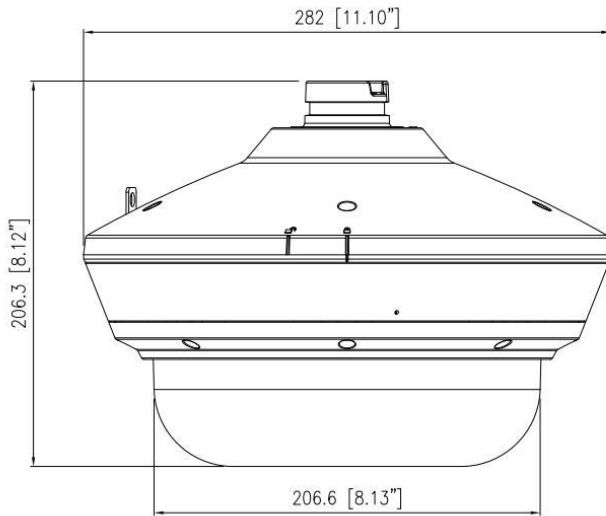
Camera				
Image Sensor	4 × 1/2.8" Progressive Scan CMOS			
Max. Resolution	5MP (2592 × 1944)			
Electronic Shutter	Auto/Manual, 1/5 to 1/20,000s			
Min. illumination	Color: 0.005 Lux @ (F1.6, AGC ON), B/W: 0 Lux with IR			
Day & Night	IR cut filter			
Wide Dynamic Range	True WDR			
Angle Adjustment	Pan: -180° to 180°, Tilt: 0° to 130°, Rotation: 0° to 355°			
Lens				
Lens Type	Motorized focus			
Iris	DC- Iris			
Focal Length	2.7 to 13.5 mm			
Max. Aperture	F1.6			
Field of View (FOV)	H: 95.6° to 26.9°, V: 65.4° to 20.5°			
DORI Distance				
Lens	Detect	Observe	Recognize	Identify
Wide (2.7 mm)	68 m (223.1 ft)	27.2 m (89.2 ft)	13.6 m (44.6 ft)	6.8 m (22.3 ft)
Tele (13.5 mm)	195 m (639.8 ft)	78 m (255.9 ft)	39 m (128.0 ft)	19.5 m (64.0 ft)
DORI (Detect, Observe, Recognize, and Identify) is a standard system (EN-62676-4) for defining the ability of a person viewing the video to distinguish persons or objects within a covered area. The numbers in this table do not reflect intelligent function distances.				
Illuminator				
Illuminator Type	IR			
Illumination Distance	IR distance up to 40 m (131.2 ft)			
Illumination On/Off Control	Auto/Manual			
Intelligent Analytics				
Multi-Object Detection	Supports face, human, vehicle detection and capture			
Intelligent Analysis	Intrusion, Single line crossing, Double line crossing, Loitering, Wrong-way, Illegal parking, Enter area, Leave area and Smart motion detection. Support alarm triggering by specified target types (human or vehicle).			
People Counting	Support			
Video and Audio				
Streaming Capability	3 Streams			
Stream/Frame Rate	Stream1: 2592 × 1944, 2592 × 1520, 1920 × 1080, 1280 × 720 @ 25/30fps Stream2: D1, VGA, CIF @ 25/30fps Stream3: VGA, CIF, QVGA @25/30fps			
Bit Rate Control	CBR/VBR			
Bit Rate	Stream1: 200 kbps to 12 Mbps Stream2: 100 kbps to 6 Mbps Stream3: 100 kbps to 3 Mbps			
Smart Encoder	Support			
Region of Interest (ROI)	Support			
Audio Compression	G.711 A-law, G.711 μ-law, RAM PCM			



Image	
Image Adjustment	Brightness, Sharpness, Contrast, Saturation adjustable
Corridor Mode	Support
Mirror	Support
White Balance	Auto, Tungsten, Fluorescent, Daylight, Shadow, Manual
Day/Night Setting	Auto, Day, Night, Timer
Noise Reduction	2D/3D DNR
Image Enhancement	WDR, HLC, BLC, Defog
Privacy Masking	Up to 4 × 4 areas
Event	
Alarm Triggers	IVS, Motion detection, Alarm input, Network alarm, Disk alarm, Day/Night switch alarm, Abnormal sound detection
Alarm Events	Alarm record, FTP upload, SMTP upload, Alarm output, Audible alarm output
Network	
Protocols	IPv4/IPv6, HTTP/HTTPS, DNS, DDNS, DHCP, PPPoE, RTSP/ RTCP/RTP, TCP/UDP, NTP, ARP, UPnP, FTP, SMTP, QoS, ICMP, IGMP, SMTP, 802.1x, SNMP, Multicast
Interoperability	ONVIF (Profile S/T/G/M), SDK, CGI
User/Host Level	Up to 10 users, 3 levels: Administrator, Operator, Media user
Security	IP address filter, encrypted HTTPS, Illegal login lock, IEEE 802.1x
Web Viewer	<IE11, Chrome, Firefox, Microsoft Edge
Interface	
Network Interface	1 Ethernet (100/1000 Base-T) RJ-45 Connector
Built-in Microphone	Support
Audio Interface	1ch Input, 1ch Output
Alarm Interface	4ch Input, 2ch Output
RS-485	1 RS-485
CVBS Interface	1 BNC interface
SD Card Slot	Built-in, up to 1 TB
Reset Button	Support
General	
Language	English, Chinese, Polish, Italian, Portuguese, Spanish, Russian, French, Czech, Hungarian. Default: English
Power Supply	DC12V (-15% to +25%)/PoE+ (802.3at)
Power Consumption	Max. 20 W
Operating Temperature	-40°C to 60°C (-40°F to 140°F)
Operating Humidity	Less than 90% RH
Ingress Protection	IP67, IK10
Certifications	CE-EMC (EN 55032:2015+A1:2020, EN 55035:2017+A11:2020, EN 50130-4:2011+A1:2014, EN IEC 61000-6-4:2019, EN IEC 61000-3-2:2019+A1:2021, EN 61000-3-3:2013+A2:2021) FCC (FCC 47 CFR 15, Subpart B, ANSI C63.4-2014) NDAA Compliant
Material	Aluminum alloy body, bubble: plastic
Dimensions	Φ282 × 206.3 mm (φ11.1 × 8.12 inch) , (Bracket not included)
Net Weight	4 kg (8.82 lb), (Bracket not included)



Dimensions (mm)



Accessories

Wall Bracket Included
ZA8-CBK506A

Ceiling Bracket (optional)
ZA8-CBK348A

