



## ZNT8-B1F Series Thermal Network Bullet Camera



### Key Features

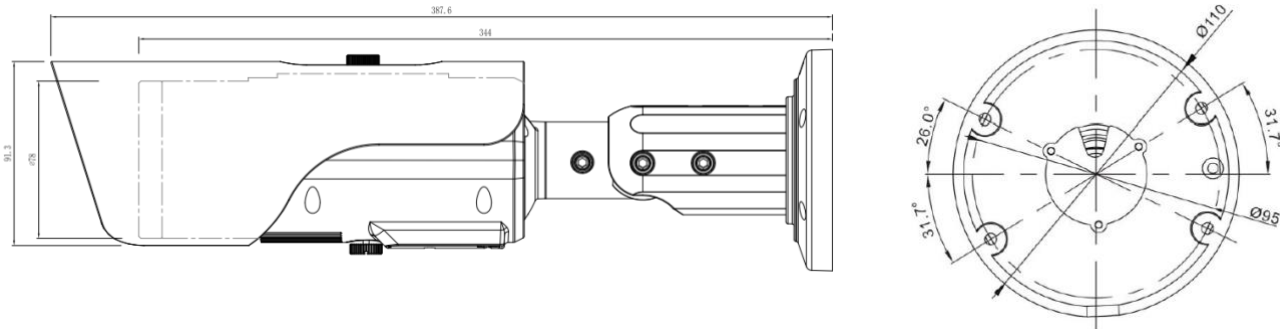
- Uncooled VOx Micro bolometer with 400×300 resolution
- 8mm, 15mm, 25mm, 35mm and 50mm lens options
- Sensitivity  $\leq 40\text{mK}$
- Smart temperature monitoring and alarm
- Human and vehicle detection analytics
- Supports 3 temperature measurement rule types (Spot, Line, Area)
- 17 color control
- DVE image enhancement
- PoE /12VDC
- IP66
- NDAA compliant



Thermal Camera ZNT8-B1F Series					
Detector Type	Uncooled VOx Micro bolometer 400×300				
Pixel size	17µm				
Spectral Range	8-14µm				
Thermal Sensitivity (NETD)	≤ 40 mK				
Lens Type	Fixed				
Focus Control	Manual Focus				
Focal Length	8 mm	15 mm	25 mm	35 mm	50 mm
F No.	F1.0	F1.0	F1.0	F1.0	F1.0
Angle of View	H: 46°, V:35.3°	H:25.5°, V:19.2°	H:15.4°, V:11.6°	H: 11°, V:9°	H: 7.7°, V:5.8°
Detection Distance Fire(1m*1m)	235 m	441 m	735 m	1029 m	1471 m
Detection Distance Man(1.8m*0.5m)	235 m	441 m	735 m	1029 m	1471 m
Detection Distance Vehicle(4m*1.5m)	722 m	1353 m	2255 m	3137 m	4510 m
Recognition Distance Fire(1m*1m)	78 m	147 m	245 m	343 m	490 m
Recognition Distance Man(1.8m*0.5m)	59 m	110 m	184 m	257 m	368 m
Recognition Distance Vehicle(4m*1.5m)	180 m	338 m	564 m	789 m	1127 m
Video and Audio					
Resolution	Sensor is 400×300. Image can be scaled up to 704×576				
Frame Rate	Main Stream: 704×576 @ 25/30fps Sub Stream: CIF @ 25/30fps				
Bit Rate Control	CBR/VBR				
Bit Rate	100Kbps ~ 6Mbps				
Region of Interest	Off / On (8 Zone, Rectangle)				
Digital Zoom	16x				
Mirror	Support				
Defog	Support				
Motion Detection	Support				
Privacy Masking	Off / On (5 Area, Rectangle)				
DVE Image Enhance	Support				
Image Setting	Brightness/Sharpness/Contrast/Mirror/FFC/3D DNR				
Color Palettes	White-hot/Black-hot/Rainbow/Ironbow etc. up to 17 modes				
Audio Compression	G.711: 8kbps, RAW_PCM: 16kbps				
Smart Function					
Intelligent Functions	Temperature detection & alarm, Human detection, Vehicle detection				
IVS	Line crossing, Intrusion, Region entrance, Region exiting				

Temperature Detection	
Temperature Detection	Support 3 temperature measurement rule types (Spot, Line, Area)
Temperature Alarm	Over temperature alarm, Temperature difference alarm
Accuracy	±2°C / ±2%
Response Time	≤ 30ms
Theory of temperature measurement range	-40°C ~ 150°C (-40°F ~ 302°F)
Temperature display mode	Temperature target >5°C, Display absolute temperature value, Temperature target ≤5°C, Display relative temperature value (temperature difference DEV = highest value - average)
Network	
Ethernet	RJ-45 (10/100Base-T)
Protocols	IPv4/IPv6, HTTP,RTSP/RTP/RTCP, TCP/UDP, DHCP, DNS, PPPOE, SMTP, 802.1x
Interoperability	ONVIF, CGI, SDK
Edge Storage	Local PC for instant recording Micro SD card 128GB
Web Viewer	<IE11, Chrome, Firefox, Microsoft Edge
Web Language	English, Chinese, Polish, Italian, Portuguese, Spanish, Russian, French, Czech, Hungarian
Interface	
Ethernet	1 Ethernet (10/100 Base-T) RJ-45 Connector
Audio Interface	1ch Audio In, 1ch Audio Out
Alarm	2ch Alarm In, 2ch Alarm Out
RS485	Support
Reset Button	Support
General	
Power Supply	DC12V/POE (IEEE 802.3af)
Power Consumption	Max 5 W
Working Temperature	-40°C ~ 60°C (-40°F ~ 140°F)
Storage Conditions	0~ 90% RH
Certifications	CE/FCC
Ingress Protection	IP66
Casing	Metal
Dimensions	φ 110 × 388 mm ( φ 4.33 × 15.28 inch)
Net Weight	1.8 kg (4.97 lb) with 15mm lens

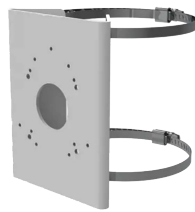
## Dimensions (mm)



## Optional Accessories



ZA8-CBK645G  
Junction Box



ZA8-CBK101A  
Pole Mount